

# AGILE EVO S4 1800X525

THE INNOVATIVE FULL ELECTRIC PALLET TRUCK  
(1.200 KG)



## AGILE EVO

The innovative motorized pallet truck that combines electric and manual function for convenient usability.

Compact, light, simple and easy to use, AGILE is the perfect pallet truck to minimize the operator effort, increasing efficiency and safety.

Ideal in deliveries, supermarket, and retail shop, it can be used by everyone.

Main advantages:

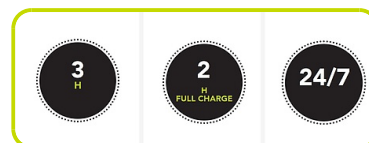
- 100% electric lift and drive, for increasing efficiency of procedures and saving time.
- Powerful battery 12.8Ah, ensuring great productivity.
- Manual switch, to be used in case of low battery to reach the charging station.

## LI-ION BATTERY

Easily removable, **lightweight**, high-energy efficiency and totally **maintenance-free**, can be fully or partially recharged, ensuring great productivity.

Two types of charger available (bench and wall mounted) with standard and fast charging time.

- **3H AUTONOMY**: Continuous running with 600 kg average load at full speed.
- **RECHARGE**: Fast and occasional, depending on the combination of battery and charger.
- **CONTINUOUS RUNNING** using spare additional battery.



## ADVANCED PERFORMANCES

Powerful and fast, Agile is a smart pallet truck that optimizes your productivity by being more efficient and faster.

- **DOUBLE TRACTION WHEELS WITH NON-MARKING RUBBER:** The first pallet truck with 2 traction wheels in the market, for high stability, better traction and durability.
- **1.2 TONS LOAD CAPACITY:** To cover all logistic needs.
- **AC MOTORS:** Maintenance-free motor grants reduced sound emission (Agile is among the most silent truck in the category), and is specific for intensive working cycles.
- **5.3 KM/H MAX SPEED:** Best in class in light semi-electric category.



## EXCEPTIONAL EASE OF USE

The simplicity of Agile and the great maneuverability will immediately help improve your everyday work.

- **COMPACT & LIGHT:** Ideal for use in any application where space and weight is critical.
- **POWERFUL & STABLE:** Ideal for loading/unloading, slopes, uneven floors and everyday last mile deliveries.
- **SIMPLE SWITCH ON/OFF:** Equipped with the practical pocket size key switch, easily removable when the machine is not in use.



## USER FRIENDLY FRONT LED INTUITIVE DISPLAY

Equipped with 3 push buttons to make easily settings and read truck activities info. Operator can get information on:

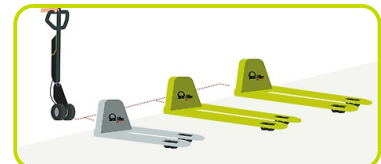
- Battery status of charge (% of charge);
- Timers (total and partial trip hour meter in h);
- Distance traveled (total and partial trip distance in km);
- Speed adjustment (% of max speed);
- Diagnostic page;
- Error page.



## MULTI PURPOSES

Agile's drive unit can be combined with forks of any sizes or material like stainless steel, and also with scale system. Whatever model you choose, you will gain all the Agile advantages for the specific needs of your application.

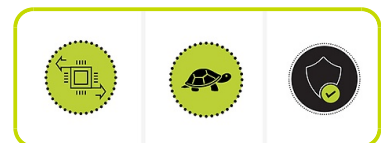
- Special forks size
- Frame for special environments stainless steel or galvanized
- Scale options (GS/P Agile, PX Agile)
- Ultra silent version



## 100% SAFETY

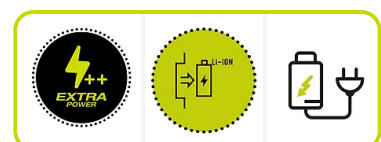
Agile is a reputable tool that cares about user safety. No worries anymore, it works hard for you giving superior results in total safety.

- **EASY SPEED ADJUSTMENT:** Safe driving performance according to operator's skill level or to workplace requirements.
- **SAFETY IN NARROW SPACE:** The turtle mode allows for controlled maneuvering in tight spaces.
- **DOUBLE WHEELS SYSTEM:** The large diameter of the wheels allows great stability and smoothness, preventing the pallet truck from overturning.



## OPTIONS

- **Plus version:** extra power battery **17Ah** (including on-board charger)
- Additional spare **battery** for continuous use
- **Fast** battery charger



## Description

|                            |   |    |                  |
|----------------------------|---|----|------------------|
| 1.1 Manufacturer           |   |    | PR<br>INDUSTRIAL |
| Lift                       |   |    | Electric         |
| 1.3 Drive                  |   |    | Electric         |
| 1.4 Operator type          |   |    | Pedestrian       |
| 1.5 Load capacity          | Q | kg | 1200             |
| 1.6 Load centre distance   | c | mm | 900              |
| 1.8 Load axle to end forks | x | mm | 1582             |
| 1.9 Wheel base             | y | mm | 1842             |

## Weights

|                                       |  |    |     |
|---------------------------------------|--|----|-----|
| 2.1 Service weight (battery included) |  | kg | 149 |
| 2.2 Axle load, laden rear             |  | kg | 810 |
| 2.2 Axle load, laden front            |  | kg | 539 |
| 2.3 Axle load, unladen front          |  | kg | 95  |
| 2.3 Axle load, unladen rear           |  | kg | 54  |

## Tyres/Chassis

|   |     |    |        |
|---|-----|----|--------|
| 3.1 Tyres: front wheels                       |     |    | RUBBER |
| 3.1 Tyres: rear wheels                        |     |    | POLY   |
| 3.2 Tyre size: Steering wheels - Width        |     | mm | 40     |
| 3.2 Tyre size: Steering wheels - Diameter     |     | mm | 200    |
| 3.3 Tyre size: Load rollers - Diameter        |     | mm | 82     |
| 3.3 Tyre size: Load rollers - Width           |     | mm | 60     |
| 3.5 Tyre size: rear wheels - Q.ty (X=driven)  |     | nr | 4      |
| 3.5 Tyre size: front wheels - Q.ty (X=driven) |     | nr | 2x     |
| 3.6 Tread, front                              | b10 | mm | 162    |
| 3.7 Tread, rear                               | b11 | mm | 375    |

## Dimensions

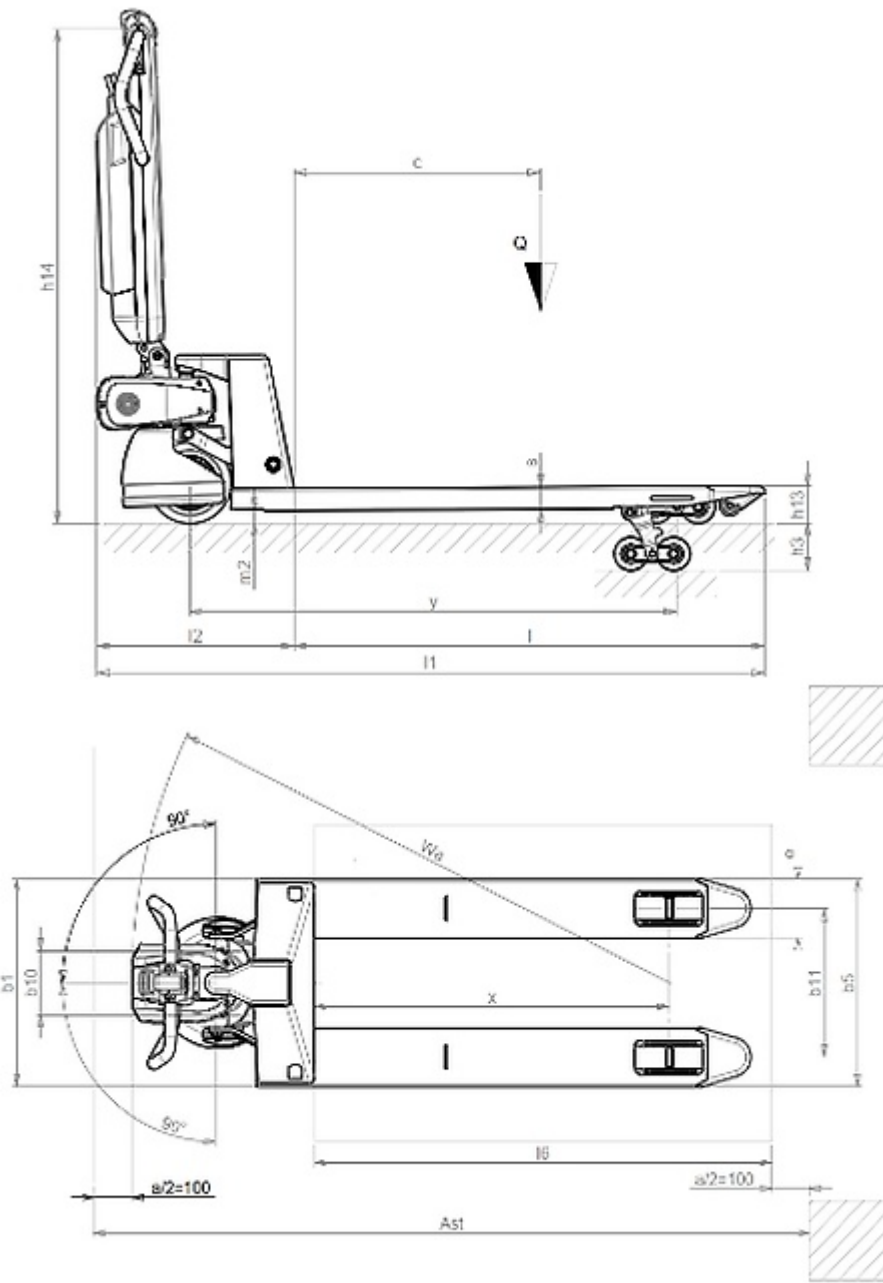
|  |           |    |      |
|--|-----------|----|------|
| 4.4 Lift height                            | h3        | mm | 115  |
| 4.9 Height of tiller in drive position min | h14       | mm | 830  |
| 4.9 Height of tiller in drive position max | h14       | mm | 1210 |
| 4.15 Height, lowered                       | h13       | mm | 85   |
| 4.19 Overall length                        | l1        | mm | 2280 |
| 4.20 Length to face of forks               | l2        | mm | 480  |
| 4.21 Overall width (front/rear)            | b1/<br>b2 | mm | 525  |
| 4.22 Fork dimensions - Thickness           | s         | mm | 55   |
| 4.22 Fork dimensions - Width               | e         | mm | 150  |
| 4.22 Fork dimensions - Length              | l         | mm | 1800 |
| 4.25 Distance between fork arms            | b5        | mm | 525  |
| 4.32 Ground clearance, centre of wheelbase | m2        | mm | 30   |
| 4.34 Aisle width                           | Ast       | mm | 2719 |
| 4.35 Turning radius                        | Wa        | mm | 2063 |

**Performance data**

|                              |      |          |
|------------------------------|------|----------|
| 5.1 Travel speed laden       | km/h | 4.2      |
| 5.1 Travel speed unladen     | km/h | 5.3      |
| 5.2 Lifting speed laden      | m/s  | 0.018    |
| 5.2 Lifting speed unladen    | m/s  | 0.021    |
| 5.3 Lowering speed laden     | m/s  | 0.1      |
| 5.3 Lowering speed unladen   | m/s  | 0.02     |
| 5.8 Max gradeability laden   | %    | 5        |
| 5.8 Max gradeability unladen | %    | 10       |
| 5.10 Service brake           |      | Electric |

**Electric motors**

|                                 |       |        |
|---------------------------------|-------|--------|
| 6.1 Drive motor power           | kW    | 2x0.25 |
| 6.2 Lift motor power            | kW    | 0.4    |
| Battery Type                    | Type  | Li-ion |
| 6.4 Battery voltage             | V     | 36     |
| 6.4 Battery capacity            | Ah    | 12.8   |
| 6.5 Battery weight              | kg    | 3      |
| 8.4 Sound level at driver's ear | dB(A) | 60     |



The information is aligned with the Data file at the time of download. Printed on 05/12/2023 (ID 17461)

©2023 | PR Industrial S.r.l unipersonale – Loc. Il Piano – 53031 Casole d'Elsa (SI) – ITALY. Company subject to the management and coordination of Generac Power Systems Inc. | All rights reserved | Image shown may not reflect actual package. Specifications subject to change without notice

